

BARODA U.P BANK

TENDER DOCUMENT

FOR

**INTERIOR FURNISHING ,ELECTRICAL & DATA
WORK FOR BRANCH AT
KUADANDA BRANCH, FARIDPUR, DISTRICT BAREILLY.**

AT

**BAREILLY (Dist)
UTTAR PRADESH.**

Date of Issue : - 21/05/2024.

Date of Submission : - 11/06/2024 Up to 3:00 PM.

ARCHITECTS

**M/S GURU SABEENA & ASSOCIATES
2/37, VIKRANT KHAND, GOMTI NAGAR,LUCKNOW**

MO-9984244412, 9555300387

***NOTE- FOR FURNITURE WORK ONLY BANK'S EMPANELED
CONTRACTOR'S CAN PARTICIPATE IN THIS TENDER.***

IMPORTANT SCHEDULES

DATE OF ISSUE OF TENDER	:	21.05.2024
LAST DATE OF RECEIT OF TENDER	:	11.06.2024 till 15.00 hrs
DATE OF OPENING OF TENDER	:	11.06.2024 at 16.00hrs at RO, BAREILLY.
EARNEST MONEY	:	Rs. 5,000.00
INITIAL SECURITY DEPOSIT	:	2.5% of the accepted Value of the Tender, Including Earnest Money.
SIGNING OF AGREEMENT	:	Within 2 days of issue of letter of intent/ order
COMMENCEMENT OF WORK	:	Within 5 days of issue of letter of intent/ order
PERIOD OF COMPLETION	:	20 days from the date of issue of letter of Intent / order
LIQUIDATED DAMAGES	:	RS 5,000 per week, subject to a max. of 7.5% Of the accepted Contract Sum.
PERIOD OF RUNNING BILL	:	Fortnightly
RETENTION MONEY/DEPOSIT	:	10 % of Gross Value from Each running Bill
REFUND OF SECURITY &RETENTION DEPOSIT	:	a) Initial Security Deposit- to be released within 14 days of requesting the bank after obtaining the certificate of completion. b) Retention Money – to be refunded 14 days after giving in writing a request after End of Defects Liability Period.
INCOME TAX DEDUCTION	:	At the Prevailing Rates from each bill
DEFECTS LIABILITY PERIOD	:	12 months after completion of Works
PERIOD OF FINAL MEASUREMENT	:	3 weeks from completion/ date of submission of Final Bill, whichever is later.

SECTION – I
INVITATION TO TENDERERS

SECTION- I

- 1.1 Sealed tenders on item rate basis are invited in the prescribed form by the **RM, Baroda UP Bank.**

Tender No.	Name of Work	Earnest Money	Time of Completion
CON/BUP/ KUADANDA /FURNISH	Furn.,Electrical work of Branch at KUADANDA,FARIDPUR, BAREILLY	5,000/-	20 days

- 1.2 The work as detailed in this tender shall be executed and completed in all respects within the stipulated period in accordance with the Tender Document, Bill of Quantities, Drawings and Instructions, to the satisfaction of the Architects and the Employers.
- 1.3 The tenderers is required to deposit Rs-5000/- as **Earnest Money** along with the tender in the form of crossedⁿDemand draft payable at **BAREILLY**, in favor of **Baroda UP Bank.** The earnest money will be refunded without any interest to the unsuccessful tenderers.
- 1.4 Tenders filled in the prescribed form should reach the office of RM, Baroda UP Bank latest by Date -11.06.2024, 15.00 hrs., in sealed covers and super scribed with the name of the work and the tender No. They would be opened on the same day at 16.00 hrs. in the presence of contractor/ Authorized representative with Bank officers.
- 1.5 Rate must be quoted for complete work at site inclusive of all costs, charges, taxes etc but **excluding GST on WCT**. All duties, E.S.I. charges etc. as applicable at **UP** central or state sales Tax, Octroi, Royalties etc. on works and materials required for use in the execution of this project shall be entirely borne and payable by the contractor and the Employer will not entertain any claim whatsoever in this respect **except GST on WCT**
- 1.6 The tenders shall remain valid for acceptance by the Employer for a period of 3 months from the date of opening the tenders.
- 1.7 The Security amount and The Retention Money will be refunded without any interest. As per the schedule mentioned.

- 1.8 The **Defects liability period** will be 12 months from the date of completion of Work. Any defects found during this period in the various jobs executed by the contractor will have to be rectified by him, without any extra charges. In case the Employer finds that the contractor has not carried out the rectification, then he is at a liberty to get the same executed by another contractor and adjust the amount spend from the Security Deposit of the main contractor.
- 1.9 The earnest money of the successful tenderers will be forfeited in the event of his refusal/ delay in starting the work. The Decision of **RM, Baroda UP Bank** will be final in this.
- 1.10 Tender documents (complete) duly filled and signed by the tenderers shall be submitted as the tender for the work.
- 1.11 **The Baroda UP Bank** and **the Architects, M/s Guru Sabeena & Associates** do not bind themselves to accept the lowest or any tender, or to assign any reason thereof and also reserves the right of accepting the whole or part of the tender. The tenderers in such an event will be bound to perform the contract at the same rates as quoted in the tender for various works. Any item is liable for alteration at the discretion of the Architect & the Employer, if required.
- 1.12 Canvassing in any form in connection with the tender is strictly prohibited and the tenders submitted by the contractor who resorts to canvassing in any form will be liable for rejection.
- 1.13 The tendering firms, in case the tenderers is a partnership firm, shall submit the tender signed by all the partners.
- 1.14 On acceptance of the Tender, the Contractor shall intimate the name of his accredited representative who would be responsible for taking instructions from the architects and carrying out the works.
- 1.15 The successful tenderers will extend full co-operation with other contractors appointed by the employer, so that the work shall proceed smoothly. The main responsibility of the overall completion of the work in time will lie with the Furnishing Contractor.
- 1.16 The successful tenderers will need to sign the agreement , three sets, on stamp paper of Rs 100/- only. Tenderers failure to make such an agreement within the stipulated timeframe will amount to non- acceptance on his part. In this case the Employer will have the right to revoke the acceptance of tender without any further notice to the tenderers.

SECTION – II
INSTRUCTIONS TO TENDERERS

SECTION _ II

- 2.1 The tenderers are advised to visit and inspect the site at his own cost and responsibility and to secure all necessary information which may be required for completing the tender. Ignorance of site conditions or local information shall not be considered as an excuse for non- performance of the contract or any increase in the rates quoted by him.
- 2.2 The tenderers shall examine carefully all the tender documents consisting of :
- Invitation to Tenderers
 - Instructions to Tenderers
 - General and Special Conditions of Contract
 - Bill of Quantities
 - Set of Drawings

All the above shall form Part of the agreement.

- 2.3 Time is the essence of contract and the tenderers are required to complete the works in all respects to the satisfaction of the Architect & the Employer within the stipulated time.
- 2.4 The tender should contain the rates & the amount (both in figures and words), in the prescribed column of the BOQ. All the items should be totaled up in the end. All corrections should be duly attested by the tenderers. Incase of any discrepancy between rates and amounts, the lower value will be taken for the finalizing of the tender amount.
- 2.5 It shall be clearly understood that the rates quoted in the tender are to be, for complete work at site, as per the instructions to Tenderers, Conditions of Contracts, Specifications and Drawings and also for all such works as become necessary for proper completion of works, although specific mention thereof may not have been made in the specifications or drawings of tender documents. The rates shall be firm and not subject to cost escalation on account of labor and material conditions or any other reason whatsoever.
- 2.6 The tenderers shall use only the form issued with this tender to fill up the rates.
- 2.7 Every page of the tender shall be signed on the left hand side bottom corner.
- 2.8 The Contract will be governed by the Indian Contract Act, Indian Sale of Goods Act and all other relevant Laws. All payments due to the contractor under the contract will be made in Indian Rupees Currency.

SECTION -III
FORWARDING LETTER

SECTION III - FORWARDING LETTER

FROM -----

TO, RM
Baroda UP Bank
Regional Office
BAREILLY

Ref: Tender No. **CON/BUP/KUADANDA BRANCH/FURN**

Dear Sir,

With reference to the tender invited by you, I/we hereby offer to perform, provide, execute and complete the works in conformity with conditions of contract, drawings and specifications for the respective items of schedule of quantities attached hereto.

I/we have satisfied ourselves as to the location and prevailing conditions of the site, and have read carefully the Articles of Agreement, Conditions of Contract, Specifications, General and Special Conditions, Technical Specifications, etc. I/we understand that the works are to be completed within ----days from the date of issue of letter of Intent/ Order and fully understand that time will be the essence of the contract.

I/ we enclose a demand draft for **Rs.5000**, drawn on -----, payable at **BAREILLY**, in favor of **Baroda UP Bank** as Earnest Money and fully understand that this amount will not bear any interest.

I/we agree to keep the offer open for 90 days from the date of opening the tender.

Should this tender be accepted in whole or part, I/we herby agree to abide by and fulfill all the terms and conditions annexed hereto.

All the terms and conditions of tender have been fully read by me/us. I/we accept the same and sign hereunder in token of their acceptance.

We further enclose the following documents:-

- i) Proprietorship registration, Partnership deed, Article of Association and Power of Attorney, as applicable. We agree that no change will be made in these documents without prior approval of **Baroda UP Bank**
- ii) Tender document Duly signed.
- iii) Details of my firm
- iv) Latest 3 years ITR

Name of Proprietor/Partners/ Directors

Yours Faithfully

Date

Signature of Tenderers with
Official Stamp.

SECTION –IV
GENERAL CONDITIONS OF CONTRACT

SECTION IV

4.1 DEFINATIONS

In this contract, the following words and expression shall have the meaning thereby assigned to them unless the contract ascribed a different meaning

- a) **Employer** means **Baroda UP Bank** and includes their authorized representatives to deal with any matter on their behalf.
- b) **Employer- in – charge** means the person appointed by the Employer and notified to the Contractor to be in charge of the project
- c) **Clerk of Works** means any Engineer appointed by the Employer to perform the duties of Resident Engineer, limited to Supervision of Work and notified to the Contractor to be in charge of the project
- d) **Architects** means the Architects Employed by **Baroda UP Bank** to give consultancy.
- a) **Contractor** means the individual, firm or Company with whom the contract is entered into and includes the heirs, executors, or successors.
- b) The expression **Contract** means the document forming the Tender and acceptance thereof and included all the sections of the tender including BOQ and set of drawings.
- c) **Tender** means the offer made by an individual or firm or company for execution of the works.
- d) **Acceptance of Tender** means the letter from the Employer communicating to the tenderer the acceptance of this tender and include the advance acceptance of his tender.
- e) **Drawings** means the drawings referred to in the tender documents including any modifications of such drawings approved in writing by the Architect or his representative and such other drawings as are made from time to time and furnished by the contractor and approved by the Architect.
- f) **Site** means the actual lace as described in the tender at which the execution of works is to be done with the surrounding areas.

- g) **A Week** shall mean 7 days without regard to the number of Hrs worked in a day in that week.
- h) **Specifications mean** standard specifications for works and materials brought out in the tender, and added to or superseded by special specifications. In absence of any specifications for any item of work the relevant specifications in CPWD or IBA works Manual shall be followed and work be executed accordingly.

4.2.1 **EXTENT OF CONTRACT**

The contractor shall supply at his own cost all the materials like ladders, scaffoldings, temporary works that may be required for the proper execution of the works, whether original, altered or substituted works. The contractor shall also supply survey instruments and other materials necessary for purpose of setting out of works and assisting to the measurements or examination at any time.

The contractor shall also provide a sufficient portion of fencing and lights required to protect the public from accidents and shall be bound to bear any expenses of defense brought by any person for injury sustained owing to neglect of the above precautions, and to pay any damages and costs which may be awarded in any such suit, action or proceedings to any such person. In no case the Employer shall be a party to any such claim and the Contractor shall indemnify the Employer against any claim for any person on this account.

4.2.2 **Sufficiency of Tender**

The Contractor shall be deemed to have satisfied himself before tendering as to the correctness and sufficiency of his tender for the works and his prices for the work which shall cover all his obligations under the Contract and all matters and things necessary for the proper completion and maintenance of the work.

4.2.3 **Sub- Letting of Contract**

The contractor shall not assign the contract or any part thereof to any other party without the prior written consent of the Employer.

4.2.4 **Power to Make alterations**

Architect shall have the powers to make any alterations or additions to the stipulated specifications, drawings, designs and instructions that he may feel necessary or advisable during the progress of the work. The contractor shall have no claim for compensation on account of such alterations or additions. The contractor shall be bound to carry out the work in accordance with any instructions which may be given to him in writing signed by the Architect and such alterations shall not invalidate the

Contract, and any additional work which the Contractor may be directed to do in the manner above specified as part of the work shall be carried out by the contractor. The time for completion and Costs of such additional works shall be extended in proportion to the original contract. The certificate of the Architect shall be conclusive as to such proportions.

4.2.5 Works subject to approval of Architect

All works to be executed under the contract shall be subject to approval of the Architect who shall be entitled to direct at what points and in what manner they are to be commenced.

4.2.6 Urgent repairs and Urgent Works

If by any reason, during the execution of the work or during the defects liability period, any works or repair become urgently necessary and the Contractor is unable / unwilling to do such work immediately, then the Employer may get the same done on their own and deduct the cost thus incurred from the funds due to the contractor.

4.2.7 Clearance of Site

The Contractor shall have to remove all Malbaa from site of work, dirt and dust, etc. before handing over the works to the Employer. The works shall not be treated as complete in all respects unless these requirements are fulfilled.

In the event the Contractor failing to do so the architect and the employer shall have the right to get the site cleared at the contractors risk and cost.

.4.2.8 Protection of Trees and Shrubs

Trees and Shrubs designated by the Architect shall be protected from damage during course of the work and the earth level shall not be changed within three feet of such trees.

4.3 ARCHITECTS STATUS AND DECISIONS

- a) The Architect shall have General supervision & direction of Works. He has authority on behalf of the Employer to stop the work whenever such stoppage may be necessary to ensure proper execution of the works. The Architect shall

be the interpreter of the conditions of Contract and the judge of its performance.

- b) The Architect within reasonable time make decisions of all claims of the contractor and all other matters related to the execution and progress of work.

The decision of the Architect with respect to all or any of the following matters shall be final

- i) Variation/ Modification of the Design
 - ii) Quality and Quantities of Works Executed
 - iii) Discrepancies in the drawings and Specifications
 - iv) Opening up for inspection of any work covered up.
 - v) Amending of any defects occurring under Defects Liability Period
- c) The Contractor shall on the report of the Architect immediately dismiss from the works within 24 hrs any person employed thereof by him who may in the opinion of the Architect/ Employer be incompetent/ misconducts himself.

4.4 DIRECTIONS REGARDING DRAWINGS & DESIGN

- a) After signing the Contract, the Contractor will be given three sets of drawings free of charge. Additional copies if required would be made at his own costs. One set of the drawings shall be kept at the site by the contractor and available to Architect/ his representative at all times.
- b) Further drawings and Instructions including revisions, as the Architect may furnish to the contractor shall form part of this contract.
- c) Only figured dimensions and detailed drawings shall be followed. The Contractor shall verify all dimensions in the field before any work is Commenced and obtain instructions of the Architect incase of any discrepancy.

4.4.2 Action where no specifications

In case of any work for which there are no specifications in the contract, such works shall be carried out in accordance with the directions of the Architect.

4.5 DIRECTIONS FOR EXECUTION OFWORKS

4.5.1 Setting Out

The Contractor shall be responsible for the true and proper setting out of works. If at any time during the progress of the work any error shall appear in any part of the

work, the Contractor shall rectify the errors. The checking of any setting out by the Employer/ Architect shall not in any way relieve the contractor of his responsibility for the correctness thereof.

4.5.2 Engagement of labor

The Contractor shall employ labor in sufficient numbers to maintain the required rate of progress and Quality of work. No child labor will be employed by the Contractor.

The contractor shall comply with all the provisions of Minimum wages Acts, Industrial Disputes Acts, ESI Acts.

The Contractor shall indemnify the Employer against any payment to be made under And for observance of the Regulations aforesaid without prejudice to his right to claim Indemnity from his sub- contractors.

The contractor shall provide at his own cost for the protection of the works and for the Safety of those employed on works or the Public.

4.5.3 Water and Power Requirements

All arrangements for water and Power required shall be made by the Contractor at his own costs and nothing extra on this account shall be paid to him. Similarly filtered water required for drinking purposes for the laborers shall also be arranged by the Contractor at his own cost.

The contractor shall make necessary arrangements for procuring petrol/ diesel for machinery or for Power generation to ensure uniform progress of work in the event of Power failure.

No extension of time of completion of the contract shall be allowed on account of Power failure.

4.5.4 Disruption of Progress

The Contractor shall give written notice to the Architect whenever progress of work likely to be delayed. The notice shall include details of the drawings or order required and of why and when it is required and of any delay likely to be suffered if it is late.

If for any reason, within reasonable time, the Architect is unable to give directions, and the work suffers, then the Architect shall take such delay into account in determining any extension of time to which the Contractor is entitled.

4.5.5 Rectification of Defects

If it appears to the Architect that any work has been executed with imperfect workmanship or inferior material, then the Contractor shall rectify/ reconstruct the part so specified.

4.5.6 Samples

Samples of all materials to be used in works, shall be submitted for approval to the Architects, within four days of commencement of Contract.

The costs for preparing samples will be borne by the contractor.

4.5.7 Inspection Of Works

All works in execution stage or executed shall be open to inspection and supervision of the Architect/ his representatives. During the Visit of the Architect, the Contractor or his representative should be available on site.

4.5.8 Preparation of Program Schedule

The contractor, in consultation with the Architect shall prepare a program schedule of the various activities, before commencing of the works.

4.5.9 Extension of Time for Completion

If the contractor shall desire an extension of the time for completion of the work, on his having been unavoidably hindered in its execution or on any other ground, he shall apply in writing to the Architect within 3 days of occurrence of such hindrance and the extension he so desires.

The Architect, in consultation with the Employer shall, if, in his opinion will authorize such extension of time as may be proper.

4.5.10 Liquidated Damages For Delay

The time and Date stipulated in the contract for the completion of the work shall be deemed to be the essence of the contract. If the contractor fails to carry out the works within the stipulated time or the extended time if given, then he shall pay to **BARODA UP BANK** a sum of Rs 5,000/- per week as Liquidated damages, for the period the works remain unfinished. The total amount of such a penalty shall not exceed 7.5% of the total Contract Price.

4.5.11 Defects Liability Period

The Contractor shall be responsible to make good and remedy at his own expense within such period as may be stipulated by the Employer any defects which may develop or may be noticed before the end of 12 months from the Certified Completion date and intimation of which has been sent to the contractor within 7 days of the expiry of the said period.

If the Contractor, while rectifying the above defects, damages any other area of the site, will make good the related defects also at his own expense. In case he does not do so then the same would be got done by the Employer and expenses would be deducted from the amount due to the contractor.

4.6 MEASUREMENTS AND PAYMENTS

- 4.6.1 A bill supported with measurement details shall be submitted by the contractor Fortnightly to the Architect for all works executed and the Architect or his Representative shall verify the requisite measurements. All bills shall be submitted in Triplicates.

All such intermediate payments to the contractor shall be regarded as payments by way of advance against the final payment and not as payments for works actually done and completed and shall not preclude the requiring of bad and imperfect work to be rectified or considered as an admission of due performance of the contract.

Income tax deductions will be made as per the prevailing rates from the contractor's on account bills.

4.6.2 Final Bill

Final bill supported with consolidated measurements of the full work executed shall be submitted by the contractor, the same will be verified by the Architect within Three weeks of Completion of Works.

After Verification, the Architect will give seven days notice to the Contractor to Countersign the bill as a token of acceptance or intimate in writing his intention to dispute. If the Contractor fails to take appropriate action within the prescribed period as above, then the bill finalized by the Architect shall be final and binding on the Contractor.

4.6.3 Claim for Interest

No Claim for interest will be entertained by the Employer, with respect to any money balances as lying with the Employer.

4.6.4 Rates For Extra, Additional, Altered or Substituted works.

The rates for additional, altered or substituted work shall be worked out in accordance with the following provisions, in their respective order.

- i) If rates for similar works are directly available in the Contract for the work, the contractor is bound to carry out at the same rates as available in the contract.
- ii) If rates are not directly available in the contract, then they will be derived from the rates for a similar class of works as are specified in the contract.
- iii) If the rates cannot be determined, then the Contractor shall submit a detailed cost analysis as per market rates for same. The Architect will settle such claims.

4.7 GUARANTEES

4.7.1 Quality Of Work

The Contractor shall guarantee that the materials and workmanship are the best of their respective kinds for the service intended and that all items of work will be free from all inherent defects in workmanship and materials. He shall also guarantee that the works will not fail in any respect due to quality of materials, workmanship and method of construction.

The Specifications assume a proper degree of Skill on the part of the Contractor and Workmen Employed. The Contractor shall consult the Architect, whenever in his judgment variation in the methods of Construction or in the quality of material would be beneficial or necessary to fulfill the guarantee called for. Such variations may be made by the Contractor, only when authorized by the Architect.

4.7.2 Cost of Execution of work or repair, etc.

All works of repair shall be carried out by the contractor at his own expense if the necessarily thereof shall in the opinion of the Architect be due to the use of materials or workmanship not in accordance with the contract or on account of neglect or failure on the part of the contractor to comply with any obligation expressed or implied on the contractor's part under the contract.

4.7.3 Remedy on Contractor's failure to carry out the works required.

If the contractor shall fail to do any such work as the aforesaid required by the Architect. The Employer shall be entitled to carry out such works at the contractor's own cost and recover the same from any money that may become due to the contractor.

4.7.4 Contract Valid during Guarantee Period

This contract shall remain valid and in force until the expiry of Guarantee Period.

4.8 RESCINDING/ TERMINATE CONTRACT

4.8.1 In any case under any clause of this contract, the contractor has rendered himself liable to pay compensation amounting to whole of his retention deposit in hands of Employer, the Architect in consultation with the Employer, on his behalf shall have power to adopt any of the following courses-

- a) To rescind the contract (of which rescission notice in writing to the contractor shall be conclusive evidence)
- b) To employ a contractor paid by the Employer and to supply materials to carry out the work or any part of the work, debiting the contractor with the cost of the labor and the price of the materials.
- c) To measure up the work of the contractor and to take such part of the work of the contractor as shall be unexecuted out of his hands and to give it to another contractor to complete. In this case any expense which may incur in excess of the sum which would have been paid to the original contractor, if the whole work had been executed by him, shall be borne and paid by the original contractor and may be deducted from any money due to him by the Employer.

In the event of any of the above courses being adopted by the Architect, the Contractor will have no claim to compensation to any loss sustained by him.

4.8.2 Termination Of the Contract

If at any time after the commencement of the work the Employer for any reason whatsoever not require the whole or part thereof as specified in the tender to be carried out, Architect shall give notice in writing of the fact to the Contractor who shall have no claim to any payment or compensation whatsoever on account of any profit or advantage which would have derived from the execution of the work.

4.8.3 Jurisdiction

The contract and its operation shall be governed by the laws of India, for the time being in force. The contract shall deemed to have been entered into **at Bareilly**

4.8.4 Bye Laws and Local Authorities

The contractor shall conform to the provisions of any Govt. Acts and regulations of Local Authorities. Contractor would pay all charges and fees for towards Stacking, etc. The Contractor shall keep the Employer indemnified against all penalties and liabilities incurred in connection with the said contract.

The contract will be governed by the Indian Contract Act, Indian Sales Act and all other relevant laws.

4.8.5 Arbitration

All disputes related to the said contract shall be referred to the arbitration of the person appointed by the Employer. All rules will be subject to Arbitration Act 1940, or any statutory modification or re- enactment thereof.

It is a term of the contract that if the Contractor does not make any demand for arbitration in writing within 30 days of receiving the intimation from the Employer that bill has been certified for Payment, the claim of the contractor will deemed to have been waived absolutely bared and the Employer shall be discharged and released of all liabilities under the contract.

SECTION -V
FORM OFAGREEMENT

Made at... day of..... between **Baroda UP Bank**, Regional Office, **BAREILLY** (hereinafter referred to as the Employer which expression shall include their heirs, executors, administrators and assigns) of the one part and
 (hereinafter referred to as
 Executors which expression shall include their heirs, executors, administrators and assigns) of the other part.

Employer is desirous **of furnishing Works at KUADANDA BRANCH - BAREILLY**

has caused drawings and specifications describing the work to be done to be prepared by M/s **Guru Sabeena & Associates** as their Architects.(hereinafter referred to as the Architects)

The said drawings and Specifications and the Price Schedule of Quantities have been signed by both the parties and the contractor has agreed to execute upon.

NOW IT IS HEREBY AGREED AS FOLLOWS

1. In consideration of the said contract, payments to be made to the contractor as hereinafter provided he shall upon and subject to the said conditions execute and complete the works shown upon the said drawings and such further detailed drawings as may be furnished to him by the said Architects and described in the specifications and the said Priced Schedule of Quantities.
2. The Employer shall pay the Contractor such sums as shall become payable hereunder at the times and in the manner specified in the said conditions.
3. The said Contract comprises the building above mentioned and all subsidiary works connected there within the same site as may be ordered to be done from time to time by the said Architects even, though such works may not be shown on the Drawings or described in the said Specifications or the Priced Schedule of Quantities.
4. The Employer through the Architect reserves to himself the right of altering the drawings and nature of the work and adding to or omitting any items of work or of having portions of the same carried out otherwise and such alterations shall be carried out without prejudice to this contract.
5. The Employer in consultation with the Architect reserves the right to exercise control on quality of work, check the measurements, approval of rates of extra or substituted items. The decision of the Architect shall be final and binding in this regard.
6. The following documents shall be deemed to form and construed as part of this agreement along with the amendments, negotiated and confirmed in various

subsequent letters exchanged as mentioned hereinafter and parties hereto will respectively abide by and submit themselves to the Conditions and Stipulations and perform the agreement on their parts respectively in such conditions contained

- a) Notice inviting Tender
- b) Instructions to Tenderers
- c) General Conditions of Contract
- d) Special Conditions of Contract
- e) Technical Specifications
- f) Schedule of Quantities
- g) Employers letter dated..... To the Contractor awarding the Contractor awarding the Contract
- h) Contractors letter dated to the Employer in acceptance of the award of Contract

7. All dispute arising out of or in anyway connected with the agreement shall be deemed to have arisen at **BAREILLY**, the Court in **BAREILLY** shall have jurisdiction to determine the same.

8. The several parts of this contract have been read to us and fully understood by us.

Witness our hand this day of2023

SIGNED BY THE SAID EMPLOYER

Witness

1)

2)

SIGNED BY THE SAID CONTRACTOR

Witness

1)

2)

SECTION –VI**SPECIAL CONDITIONS OF CONTRACT****SECTION VI****6.1 Insurance for Works**

The contractor before commencing on execution, without limiting his obligation shall insure the works against all acts of God, at his own costs and keep them insured till the completion of the project, in the joint names of the Employer and the contractor, for the full amount of the Contract.

The Contractor shall deposit the policy and receipt for the premiums with the Employer within 7 days from the date of signing of the contract. Incase the Contractor fails to do so, then the Employer can make the required Policy and deduct the amount from the Contractors amount due.

6.2 Insurance in respect to damage to persons and property

The contractor shall be responsible for all injury to persons, animals or things and for all structural and decorative damage to property which may arise from the operation or neglect of himself or any other person employed by him.

The clause shall be held to include any damage to buildings whether immediately adjacent or otherwise. The Contractor shall indemnify the Employer and hold him harmless in respect of all and any expenses arising from any such injury or damage to persons or property.

The Contractor shall reinstate all damages of every sort mentioned, due to his contract work to the property of third parties.

The Employer shall be at liberty and is empowered to deduct the amount of any damage or compensation levied on him due to the negligence of the Contractor.

Such insurance will not limit or bar the liability and obligation of the contractor to deliver the works to the Employer complete in all respects as per the contract. Incase of loss or damage, the money payable under any insurance shall be received and retained by the Employer until the works are finally complete and such money shall then be credited to the Contractor in final settlement of accounts.

SECTION – VIII
LIST OF APPROVED AND NOMINATED MANUFACTURERS / SUPPLIERS OF
MATERIALS FOR BANK , UTTAR PRADESH.

S.NO.	MATERIALS	APPROVED BRANDS
1	False Ceiling & Cornices	India Gypsum
2	AluminiumFram	Jindal,Indal
2	Wood Framework: All wood must be well seasoned, free from knots, other defects.	Meranti (seasoned) with two coats of wood preservative
3	Wood skirting /mouldings, Lipping /beading	Steam beech/ Mahogany/ Teak wood
4	BWP Marin Ply wood(IS: 710)	Green ply/Archid/Century
5	Laminate	Century/Archid/Greenlam/Sunmica
6	Veneer	Century/Archid/Greenlam
7	Wood Preservative	STP- Pentaphene pale / Termination Tor(Pidilite)
8	Adhesive	Fevicol SH (Pidilite) / Araldite/SR- 998/Century – SH
9	Door Closer	Dorset/ ozone/opel
10	Floor Spring	Dorma/ozone
11	Door Lock	Ozone /Dorset/golden/Godrej
12	Drawer Lock	Ozone /Dorset/golden /Godrej
13	Hardware	GKW
14	Hinges	Ozone /CIEF/Ebco
15	Screws	GKW/ Nettle fold
16	Carpet	Interface/ Shaw
17	Vertical blinds	MAC decor/Vista levolor
18	Sun Control Film	3M or equivalent
19	Soft Board / Display Board	Jolly board
20	Paints	Berger/ Asian/ Nerolac
21	Texture paint	Spectrum/ Oikos
22	Ceramic Tiles	Orientalbell ,Nitco, , Kajiria
23	Vitrified tiles	Orientalbell ,Nitco, , Kajiria
24	Glass & Mirror	Modi Guard/ Saint gobain, Ashai
25	Handle	Stainless steel finish Neki / Hassely/ Hattich
26	MDF Boards	Greenpanel max/ Archid/Merino
27	Wooden flooring	Green panel max, Archid, Pergo
28	PVC flooring	Armstrong/ Krishna vinyl
29	Sanitary fittings	Toto/ Roca/ Kohler/ Grohe / Jaquar
30		AFC/Monarch/PSL/SPACEWOOD/STEELCASE

The above material list is only indicative and equivalent material may be used. Prior Approval from Bank / Architect to be obtained for any material to be used at site.

NOTE:-

- 1. In case of unavailability of any material of specific make an equivalent make can be used only after a written approval of the Architect / Bank. The preference of make/brand of the material listed above will be decided by the Architect/ Bank. The make/brand of any item will be as mentioned in the drawings issued by the Architect.**
- 2. The contractor shall provide samples of all materials mentioned in the list of makes as required by the Architect. A written approval of these samples shall be sought prior to commencement of any work. Architect / Bank reserves the right to enquire the genuineness of any material used at site directly from the manufacturer/dealer.**

LIST OF APPROVED AND NOMINATED MANUFACTURERS / SUPPLIERS OF MATERIALS FOR BANK - UTTAR PRADESH.

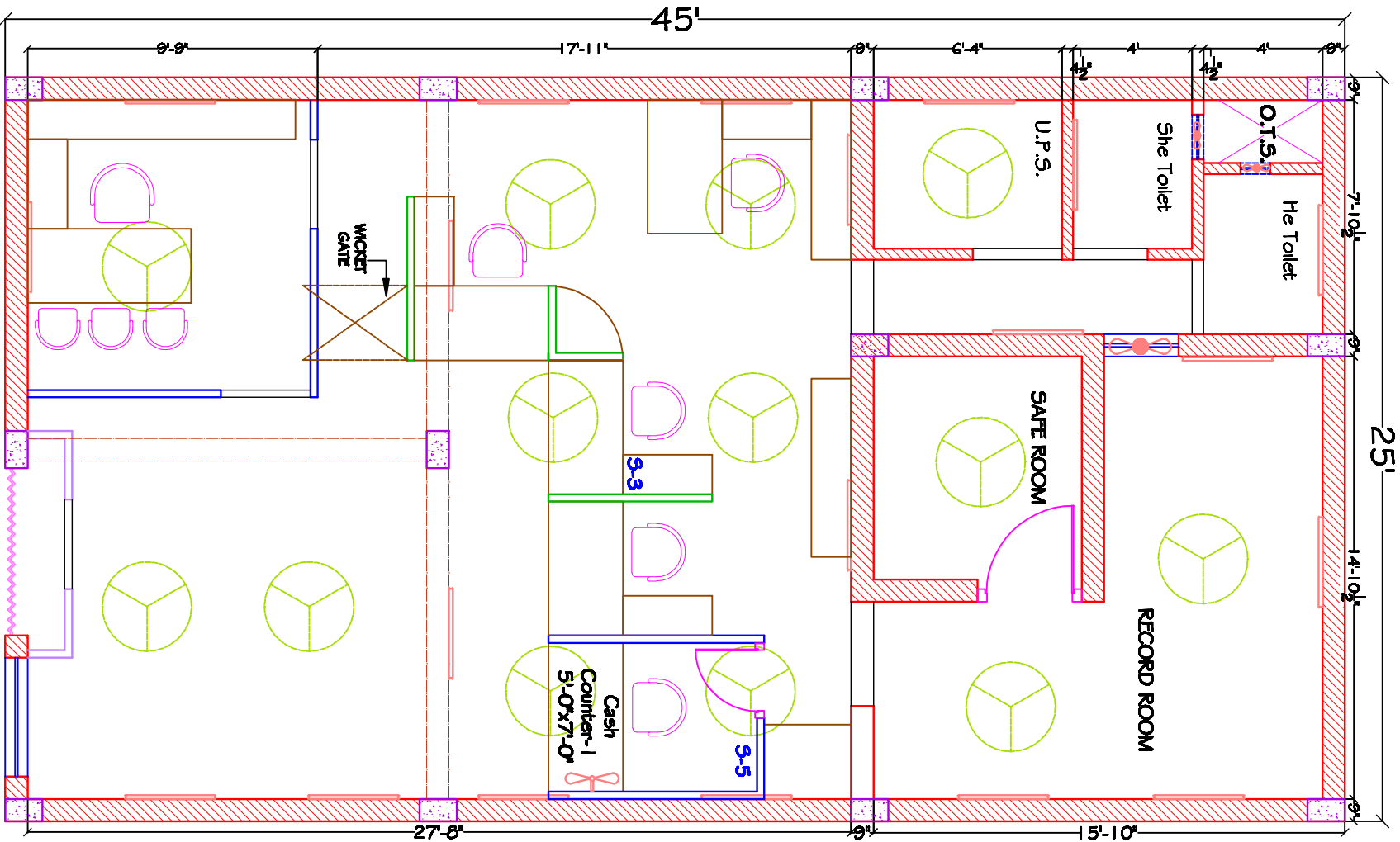
S.NO.	MATERIALS	APPROVED BRANDS
1	PVC fittings	Polycab/ AKG / Precision
2	Wires – PVC insulated copper	Finolex/ Rallison/Polycab/Skytone
3	Cables (armored)	Gloster / Rallison / Havells
4	A.C Starter, Plug Socket	Crabtree / Northwest/ Legrand
5	Light & Power switch socket	Crabtree / Northwest /Philips
6	Telephone Socket	RJ-11 Crabtree/ Philips/MK
7	DB MCB	Legrand/ Hager/ Standard/ Schneider
8	MCB	Legrand/ Havells/ Hager/ Schneider
9	Telephone cable	0.51 Netco / Delton / National
10	Light fitting	PHILIPS/Wipro/Havells
11	Fuse Switch	L&T / Havell's
12	Telephone Connector	Corn
13	Ceiling/ Wall fan	Crompton / Orient / Khaitan
14	Exhaust fan	Crompton / Orient / Khaitan
15	P.V.C tape	Steel Greep
16	Call bell	Max
17	Cable Lug	Dowell's
18	Cable gland	Brass heavy type good quality
19	Distribution board	L&T/ Havells,legrand
20	MS conduit	Heavy duty with ISI mark 16 SWG
21	Starter & single phasing preventer	SEIMENS

22	SPN, TPN, Sheet metal	Havell's / Legrand
23	Pipe Metal	M.S Conduit 16 S.W.G
24	Metal Pipe Fittings	Cast iron with thread & inspection cover
25	Pipe PVC (Rigid Conduit)	AKG / Polypack/Super/Precision
26	PVC fitting for Rigid	-Do-
27	PVC Roll Pipe	Super Dalda or equivalent heavy guage
28	PVC Casing & Casing Fittings	Good quality heavy guage (colour white)
29	Lugs	Dowells
30	Terminals	Essen/Elmex
31	Burglar alarm	Godrej/ Globe detective
32	E-cat 6 Patch panel	Schneider Electric/ Avaya
33	P.A. System	Bosch/ Ahuja
34	CCTV camera	Sony/ Bosch
35	CCTV camera wiring	Crompton/ KEI
36	UPS wiring	Crompton/KEI
37	Aluminum ducting sheet	Jindal/ SAIL
38	AC	Blue Star/ Hitachi/ Daikin Only Copper Coil (Minimum 3 Star rated)
39		

NOTE:-

1. In case of unavailability of any material of specific make an equivalent make can be used only after a written approval of the Architect. The preference of make/brand of the material listed above will be decided by the Architect. The make/brand of any item will be as mentioned in the drawings issued by the Architect.

2. The contractor shall provide samples of all materials mentioned in the list of makes as required by the Architect. A written approval of these samples shall be sought prior to commencement of any work. Architect reserve the right to enquire the genuineness of any material used at site directly from the manufacturer/dealer.

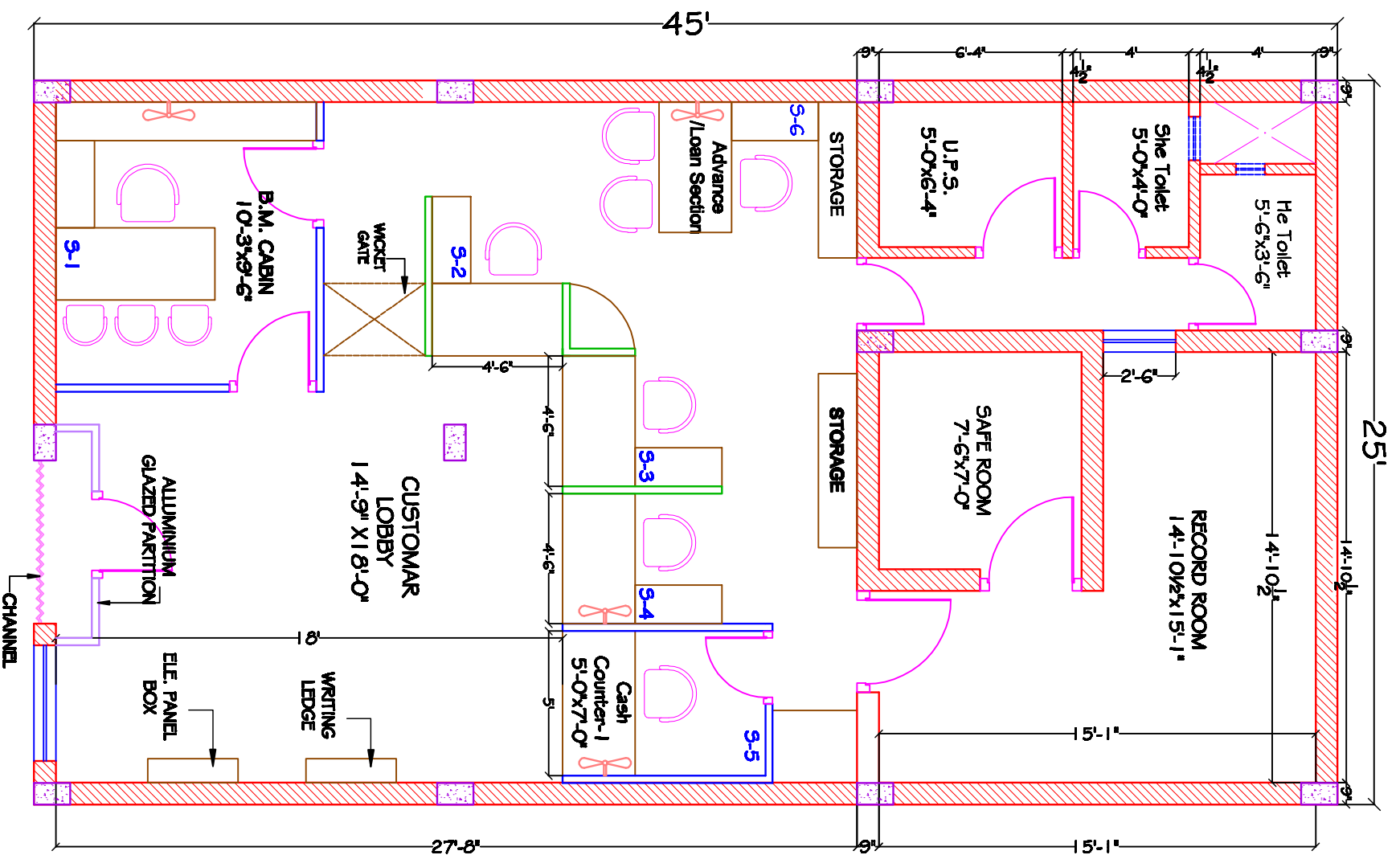


LEGEND

	SPOT LIGHT
	CEILING LIGHT
	BRACKET LIGHT
	TUBE LIGHT
	(20 W) TUBE LIGHT
	(40 W) MIRROR LIGHT
	CEILING FAN
	EXHAUST FAN
	SWITCH BOARD
	PLUG POINT
	POWER POINT
	A.C. POINT
	GEYSER POINT
	BUZZER
	WALL FAN
	TELEPHONE POINT
	T.V. POINT
	CHANDELER
	GATE LIGHT
	MAIN BOARD
	DISTRIBUTION BOARD
	CALL BELL

PROPOSED LAYOUT PLAN FOR
BARODA U.P. BANK,
KUADANDA BRANCH, FARIDPUR,
AT BAREILLY DIVISION.

ELECTRICAL LAYOUT PLAN



CARPET AREA OF
THE PREMISES=1000.00 SQ.FT.

GURU SARBENA & ASSOCIATES
ARCHITECTURAL, ENGINEERING & INTERIOR DESIGNERS
207, Vardaan Road, Gurgaon (Haryana), India - 122009
E-mail: - enquiry@gsaassociates.com
www.gsaassociates.com

**PROPOSED LAYOUT PLAN FOR
BARODA U.P. BANK,
KUADANDA BRANCH, FARIDPUR,
AT BAREILLY DIVISION.**

FURNISHING LAYOUT PLAN

SUMMARY FOR INTERIOR FURNISHING WORK FOR BARODA UP BANK		AT
KUADANDA BRANCH , FARIDPUR , BAREILLY DEVISION		
S.NO	DESCRIPTION	AMOUNT (Rs.)
A	SCHEDULE - 'A' (FURNISHING WORK)	
2.0	PARTITION WORK	
3.0	DOOR & ACCESSORIES	
4.0	WORKING COUNTER	
5.0	TABLE & FURNITURE	
6.0	CUPBOARDS AND SIDE UNIT	
7.0	OTHER MISC. WORK	
	TOTAL SCHEDULE " A "	
B	SCHEDULE - 'B' (ELECTRICAL WORK)	
I	ELECTRICAL WORK , DB , WIRING ETC	
II	ELECTRICAL WORK & LIGHT FIXTURE & FITTINGS	
	TOTAL SCHEDULE "B "	
C	SCHEDULE - 'C' (LAN & TELEPHONE WORK)	
1.0	LAN & TELEPHONE WORK	
	TOTAL SCHEDULE "C "	
	TOTAL (SCHEDULE - A+B+C)	
	IF ANY DISCOUNT	
	DISCOUNT AMOUNT	
	GRAND TOTAL	
	NOTE :- GST (WCT) TAX WILL BE EXTRA.	
	Contractor Signature & Seal	
	GST No:-	

Guru-Sabéen & Associates
Architects, Planners & Designers
 2/37 , Vikrant khand, Gomti Nagar,Lucknow
 E-Mail: connect.gsaa@gmail.com,
sabeenasingh_01@yahoo.com.

**B.O.Q OF FURNITURE WORK FOR BARODA UP BANK AT KUADANDA BRANCH ,
 FARIDPUR , BAREILLY DEVISION**

A SCHEDULE - 'A' (FURNISHING WORK)					
S.NO.	DESCRIPTION	UNIT	QTY.	RATE	AMT
2	PARTITIONS WORK				
2.1	FULL / LOW HEIGHT SOLID PARTITION (U.P.S. PARTITION)				
	Full ht. Solid Partition including flush door & strong room partition up to 7' only WITH LOUVRE :- Providing and fixing solid partition , the framing shall made out of aluminium hollow section of 65mm x 37mm size 1.5mm thick of JINDAL / INDAL as internal frame structure placed horizontally & vertically at max distance of 2'-0" x 2'-0" center to center. Fixing 6 mm thick commercial ply on both sides with 1.0mm thick laminate on top of approved shade with groove pattern as per instructions of Architect. The rate shall include the cost of providing skirting of 100mm wide lined with 1mm thk laminate and providing & fixing a border at top of 100mm wide lined with 1mm thk laminate complete. Laminate Should be considered up to two or three color combination. The edge beadings with steam beach wood should be finished with melamine polish if required, frame work above false ceiling done shall not be measured but contractor may factor it while quoting there rates as measurment up to false ceiling lvl..	Sq.Ft.	96.00		
	The rate inclusive of providing & fixing of required flush door of 37mm thick approx. with 1.0mm th.laminate both side with steem beech wood chowkhat of size 75mm x 65mm approx and Item includes Heavy-duty SS ball bearing butt hinges 100 x 5.5 mm (4 Nos. per shutter) with screws etc.The shade of laminate finish to be got approved from Bank. . All as per the design and instructions Bank.				
	Note :- For the purpose of payment partition shall be measured including the area of door/door frames up to false ceiling heaight.				
	Framework shall be regidly secured to floor, bottom of slab & existintg walls at 2'-0" c/c with dash fasteners.				
2.2	Full/Low height glazed partition in manager cabin				
	Providing and fixing in position full/ low height double skinned partly glazed partition upto the ceiling.The framing shall made out of aluminium hollow section of 65mm x 37mm size 1.5mm thick of JINDAL / INDAL as internal frame structure placed horizontally & vertically at max distance of 2'-0" x 2'-0" center to center. Fixing 6 mm thick commercial ply on both sides with 1 mm thick laminate (as per approved shade) on both the sides upto 3'-0" level. It shall also have 8 mm thick etched Modifloat glass from 3'-0 " to 7'-0" level. The design of the 4mm grooves shall be as per the drawing. It shall also include for the semiglazed door of 8 mm thick Modifloat Glass including all hardware and provision for laying conduits, switch boxes etc. It shall also include the door as per the design and skirting of 4" wide laminate in approved shade. The door to be provided with proper door closers, locks and all necessary hardwares as per the approval of the Architect.	Sq.Ft.	138.00		
2.3	Single window Partitions CASH CABIN				
	Providing and fixing in position Double skin partition 7'-0" height.The framing shall made out of aluminium hollow section of 65mm x 37mm size 1.5mm thick of JINDAL / INDAL as internal frame structure placed horizontally & vertically at max distance of 2'-0" x 2'-0" center to center. Fixing 6 mm thick commercial ply on both sides with 1 mm thick laminate of approved colour and shade as per approval of the Architect. The partition to include 8 mm. thick Modi Float glass with etching on the sides and back including a door 3'-0" wide as per the approval with all necessary hardware, night latches etc. All exposed edges to be covered with steam beech wood Beading,4mm grooves in places as per design duly melamine polished inclusive of all materials,hardware, night latches, labour, T&P, taxes, levies, etc. completed to the satisfaction of the bank & drawing.	Sq.Ft.	107.00		

S.NO.	DESCRIPTION	UNIT	QTY.	RATE	AMT
2.5	Front Glazing In head cash cabin & SWO	Sq.Ft.	43.00		
	Providing & fixing 10mm thick toughened clear float glass to shape for front side of the cash counters including cutting the holes and providing & fixing TW beading polished and tinted to approved shade. (including SWO/Chief Cashier front Glass).				
6a	Aluminium grill on the ceiling of Cash cabin	Sq.Ft.	38.00		
	Note: - For the purpose of payment partition shall be measured including the area of door / door frames up to false ceiling height. Framework shall be rigidly secured to floor, bottom of slab & existing walls at 2'-0" c/c with dash fasteners.				
TOTAL OF PARTITIONS WORK					
3	DOOR & ACCESSORIES				
3.1	Main Entrance Door	Sq.Ft.	96.00		
	Providing and fixing aluminium entrance doors with 12mm floatglass (3M frosted sticker) as/design with top & bottom section of 45 by 90mm , 2mm thick section of hindalco/indal anodized in approved colour with 25 micron anodizing along with SS C shaped handles of kitch or equivalent make along with floor spring of hemco/everite make. The item also includes door lock completed to the satisfaction of the architect.				
3.5	Supplying and fixing of Dorma/GEZE Dline / Hardwyn/Godrej or approved equivalent Door Closer for wooden door for Branch manager , Banking hall, Chief Cashier , Dinning ,UPS,Toilet	Nos	3.00		
3.6	Supplying and fixing of mortice door lock of hardwyn make HML-480 Lock Body 304 Stainless Stell. (in BM Cabin , Store room 0. Cash cabin shall be Godrej Night latch.(atm 1 No.)	Nos	1.00		
3.7	Supplying and fixing of door stopper SS Grade 304, HESSF-2C hardwyn make.	Nos	5.00		
TOTAL OF DOOR & ACCESSORIES					
4	WORKING COUNTER				
4.1	CASH COUNTERS	Rft.	5.00		
	Providing and fixing Chief Cash Counter in split-levels @ 2'-6" (height 750mm) & 18" (1140mm) with 2'-6" & 15" wide each respectively . Upper levels having 12mm thick frosted toughened glass (i/c taxes and transportation). Edges of 18" wide counter shall be 12mm thick frosted toughened glass. Lower tier shall be made of 19 mm thick ply wood finished in 1.5mm thick laminate. Exposed edge having steam beech wood edging of size 1 1/2" x 1". Vertical face shall have 12mm thick frosted toughened glass as per requirement of design. All exposed surfaces shall be finished with 1.0mm thick laminate of approved shade and colour.				
	1 no. prefabricated metal computer key board tray including drawer slides 12.5" x 22" tray with 14" telescopic slides including L - brackets for securing to the table top. Chest of drawers (size 1'-4" x 2'-0" x 2'- 5") made of 19mm thick commercial ply wood having three drawers finished with 1.0mm thick Laminate on all sides. Each drawer shall have locking system and 6" long S.S. brushed finished handle, drawer slides etc. of approved make. All exposed edges of ply wood sealed with Steam beech wood beading of size 1/4" x 3/4". All beading and exposed wood shall be melamine polished and the Internal surfaces shall be 0.8 mm thick laminate.Item includes readymade metal powder coated CPU trolley, grommet, footrest for each seat. All complete as per approval and instructions of the Architect / employer.The rate also include providing and fixing painting a foot rest using hard wood 100 x 25mm size 1st class seasoned country frame.				
	Payment will be made only on the centerline measurement. The rate shall include the cost of providing skirting of 100mm wide lined with 1.0mm thk laminate and providing & fixing a border at top of 100mm wide lined with 1.0mm thk laminate complete. the Internal surfaces shall be .75 mm thick laminate.				
4.2	RUNNING COUNTER	Rft.	16.50		
	Providing and fixing staff counter/SWO in split-levels @ 2'-6" (750 mm) & 3'1" with 2'-6" (750 mm) & 9" wide each respectively . Upper levels having 1 mm thick laminate with 19 mm thick commercial ply top. Lower tier shall be made of 19mm thick ply wood and finished in 1 mm thick laminate. Working top having steam beech wood edging of size 1 1/2" x 1". Vertical face shall have 19 mm thick commercial ply over pine wood framework as per requirement of design. All exposed edges of ply wood sealed with Steam beech wood beading of size 1/4" x 3/4". All exposed surfaces shall be finished with 1.0mm thick laminate of approved shade.				

S.NO.	DESCRIPTION	UNIT	QTY.	RATE	AMT
	The item includes Chest of drawers (size 1'-4" x 2'-0" x 2'-5") made of 19mm thick commercial ply wood having One drawers at top and a storage cabinet below having shutters of 19mm thick ply wood finished with 1.0mm thick Laminate on all sides. 1 no. prefabricated metal computer key board tray including drawer slides 12.5" x 22" tray with 14" telescopic slides including L - brackets for securing to the table top for each seat. All beading and exposed wood shall be melamine polished and the Internal surfaces shall be 0.8 mm thick laminate. Item includes 1'-3" high 12mm thick toughned glass above upper tier and readymade metal powder coated CPU trolley, grommet, foot rest for each seat. All complete as per approval and instructions of the Architect / employer. The rate also include providing and fixing painting a foot rest using hard wood 100 x 25mm size 1st class seasoned country frame. Payment will be made only on the centerline measurement.				
	The rate shall include the cost of providing skirting of 100mm wide lined with 1.0mm thk laminate and providing & fixing a border at top of 100mm wide lined with 1.0mm thk laminate complete.				
	TOTAL OF WORKING COUNTER				
5	TABLE & FURNITURE				
5.1	MANAGER TABLE (Size:- 6'-0" x 2'-6") ht. 2'-6"	Nos	1.00		
	Providing and fixing tables made out of 19 mm thick commercial ply over hard wood frame work finished with 1 mm thick laminate of approved shade. Top having steam beech wood edging of size 2" x 1 3/4". 10mm thick clear float glass with beveled edges shall be provided on the finished to 19mm thk Comm.ply wood of approved make clad with 1mm thk laminate(color with vertical grain) as per design in all visible areas. All the exposed edges to be covered with wooden steam beech lippings and mouldings duly malamine polish. The drawers to be made out of 19mm thk ply wood with 1.0 mm laminate finish in the front , and bottom to be made out of 6mm plywood and it should play in drawer sliding telescopic channels. The inside of the drawer shall be 0.8 mm thick laminate. & Table back side will be 1mm laminate. A leg rest to be provided duly polished made out of 3"x2" Wooden Section. The rate inclusive of providing & fixing wooden cabinet to suit the DVR for size 2'X6"X1'9" or as per the requirements)				
	A shutter to be made by 19mm ply wood clad with 1.0mm laminate .The necessary locks handles to be provided in each drawers and shutters. 3" x 1/2" wooden skirting to be provided in all visible areas duly polished. The necessary wire managers(SS) to be provided on the tables and provision for lights to be kept if required in the front of the table. All the exposed areas to be duly malamine polished The work to be completed as per design and approval of the Bank. The table should have key board tray and CPU Trolley to be Modular. All as per the design and instructions Bank the Internal surfaces shall be .75 mm thick laminate.				
5.2	Advance Section Officer table same as above without glass top (Size:- 5'-0" x 2'-6") ht. 2'-6"	Nos	1.00		
	TOTAL OF TABLE & FURNITURE				

S.NO.	DESCRIPTION	UNIT	QTY.	RATE	AMT
6	STORAGE & SIDE UNIT				
6.1	Side and Back Unit				
	Providing and fixing Side Unit/ Back unit 400 mm depth made out of 19mm ply wood finished with 1.0mm laminate in all exposed areas and top shall be 1 mm thick . The drawers to be made out of 19mm commercial plywood and clad with 1.0mm laminate and bottom made out of 6mm comm ply duly painted in matching tone and it should play on drawer sliding channels . The shutters to be made out of 19mm commercial ply wood and should play on drawer sliding castors on powder coated channels. The necessary locks , handles, etc to be provided . 3" x1/2 wooden skirting to be provided duly polished as per matching tone all along the visible areas . Inside of the unit shall be .75 mm thick laminate. in matching tone . All the exposed edges of the boards/ply woods to be covered with woden lippings/mouldings duly polished all complete. The work to be completed as per approval and specification of the Architect.	Nos	5.00		
6.2	Low / FULL HT cabinet	Sq.Ft.	54.00		
	Providing and fixing Full /Low height Cabiner400mm deep made out of 19mm thk plywood finished with 1.0mm laminate in all exposed areas . The Shutter to be made out of 19mm ply wood in the front clad with 1.0mm laminate(color, vertical grain) . and bottom made out of 6mm plywood duly painted in matching tone and shelves 19mm thk comm ply wood to fixed inside storage. The shutters to be made out of 19mm ply wood . The necessary locks , handles, etc to be provided . 3" x1/2 wooden skirting to be provided duly polished as per matching tone all along the visible areas . Inside of the unit shall be 0.8 mm thick laminate finish . All the exposed edges of the boards/plywoods to be covered with wooden lippings/mouldings duly polished all complete.All as per the design and instructions Bank.				
6.3	Main Electrical Panel Cabinet	Sq.Ft.	32.00		
	Providing and fixing of DB Shuttering formed of 12mm thk plywood wood on 12mm thick Gypsum board (fire Proof) with finsih as per Item no 1 for inside and out side shutters finished with laminate on outer surface with SS (4Nos) louvre perforation and necessary hardware,hinges etc complete as per details. All as per the design and instructions Bank.				
TOTAL OF STORAGE & SIDE UNIT					
7	OTHER MISCELLANEOUS ITEMS				
7.1	PIN UP / NOTICE BOARD				
	Providing and fixing soft board with necessary framework with 12mm BWR plywood on top 12 jolly board to be fixed finished with fabric @Rs80 , with necessary mouldings duly polished along the periferi. All as per the design and instructions Bank.	Sq.Ft.	24.00		
7.4	WRITING LEDGER & Cheque & sugestion box	NO	1.00		
	Providing and fixing writing ledge as per design minium 5 ft length made out 19mm comm. board with necessary grove patterns with 1.0mm laminate. 10mm thk machine polished glass to be provided on top of the writing ledge. Small boxes to be made out of 12mm comm. ply to be made on top of the writing ledge finished with 1.0 mm laminate, inside surfaces shall be .75 mm thick laminate. and rate should be included providing fixing of sugestion box & Cheque deposit box as per approval of bank .The work to be completed as per design and approval of the architect.				
7.6	Wall/Column PANELLING	Sq.Ft.	88.00		
	Fabricating and fixing wall/column paneling, the framing shall made out of aluminium hollow section of 65mm x 37mm size 1.5mm thick of JINDAL / INDAL at spacing not exceeding 600mm bothways (horizontal and vertical). Paneling framework to be secured to wall surface/column surface.Paneling framework to be clad on one side with 9mm thick ply finished with 1.0mm thk laminate including skirting of 100mm high & 12mm x 12mm groove at skirting level. All as per the design and instructions Bank.				
TOTAL OF OTHER MISCELLANEOUS ITEMS					
GRAND TOTAL FOR FURNISHING (A)					
* GST EXTRA AS APPLICABLE					

B.O.Q OF ELECTRICAL WORK FOR BARODA UP BANK AT KUADANDA BRANCH , FARIDPUR , BAREILLY DEVISION					
B	SCHEDULE - 'B' (ELECTRICAL WORK)				
SL No	PARTICULARS	UNIT	QTY	RATE	AMT
1	ELECTRICAL WIRING & EARTHING				
1.1	Supply,laying,connection & testing of light,fan point, wiring by 2x1.5mmsq(2x3/.029) +1x1mmsq PVC insulated, multistrand single core copper conductor FRLS wire maintating the colour code as per direction in PVC conduite of 20mm with ISI mark 1.5mm thickness to conceal in wall partition mending good the damage, complete with PVC circular box, bend to be done as per drawaing including 3 point ceiling rows wherever required GI saddle to be used for fixing,metal flexiable/PVC flexiable pipe may use if requied in partition wall. All PVC pipes should be with ISI mark. No joints will be allowed inside pipe,light, fan & plug point complete with modular type switch plate & MS box . rate Including the main circuite line 2x2.5mmsq+1x1.5mmsq earth PVC insulated Cu. Wire from DB to switch board ,maintaining the colour code. Circuite line for lighting switch board & 6Amps plug board are to be drawn from lighting DB to Lighting board & plug point board (independent), 6/16 Amps plug point line are to be draw from power DB.as per DBschedule /SLD				
a)	1 light by 1 switch	Nos.	24		
e)	Ceiling fan point with step type electronic regulator	No	14		
f)	Same as above, but for exhaust fan excluding regulator.	No	3		
g)	Same as above 5A Point in the switchboard itself. (for branch 4 No & ATM 1 No)	No	7		
h)	same as above Wiring for call-bell point including buzzer	No	1		
i)	Wiring (2x2.5mmsq+1x1.5mmsq from power DBs) for independant 6A multi pin socket at walls along with 6A modular type switches board housed in painted MS box (upto 3 independent plug points can be taken in one circuit). For wall Fan	No	3		
1.2	Supply and installation of modular type 2 nos 6A & multi pin sockets with 2 nos 6 Amp one way switch housed in MS box to be fixed in partitions or concealed in wall. The box shall be painted with 2 coats of enamel paint over a coat of red oxide primer including wiring for Raw power socket outlet using 2 R runs of 2.50 Sqmm and single run of 1.5 sqmm PVC insulated multi stranded single core copper conductor FRLS wire in 20mm PVC conduit to be laid in floor, partitions, etc. complete with all accessories (looping 2 sets of 2x6A socket outlet in one circuit- from DB) (Raw power). for counter (Each counter 1 Nos +BM :2 Nos, ATM 1No.;Pantry 1No.:)	No	7		
1.3	Supply and installation modular type 16A, 5-pin socket with 16A one way switch housed in MS box to be fixed in partitions or concealed in wall. The box shall be painted with 2 coats of enamel paint over a coat of red oxide primer , the rate shall include wiring fusing 2R 4.0 sqmm & single run of 2.5 sqmm PVC insulated multi stranded single core copper conductor FRLS wire in 25mm PVC conduit to be laid in floor, partitions, etc complete with all accessories (for line printer : or optional).(upto 2 independent plug points can be taken in one circuit) C.C :1No. BM.;1 No.: Alternative counter 2No + Banking Hall 1 No+ Pantry 1No ,ATM :1No)	Nos.	8		
3	AC POINTS				

3(a)	Same as serial no.1, but wiring for A/C socket by using 2*4 sq.mm. PVC insulated 1100 V grade copper conductor wire and earthing with 1*4.0 sq.mm. PVC insulated 1100 V grade copper conductor wire with modular type AC box (tiny trip type) with socket complete in all respects controlled by 25/32 A SP MCB to be provided near indoor unit.	Nos.	2		

2	LAYING OF CABLE :				
2.1	Supply laying fixing main power with 50mm sq 3.5 core PVC insulated,PVC sheated Alu.Conductor, 1100 v. grade armoured cable complete with 02 nos 8 SWG bear GI.wire as running earth .(Meter panel to Main Panel & Dgset to Main Panel)	Mts.	22		
2.2	End termination of 50mmsq 3.5 Core armoured cable,complete with brass cable gland , Alu. Lug, PVC tape.	Nos	4		
2.3	- Do - 3.5 x 16 sqmm with 02 nos 8 SWG bear GI.wire as running earth. for Light D.B	Mts	37		
2.4	- Do - 3.5 x 25 sqmmth with 02 nos 8 SWG bear GI.wire as running earth. for POWER & A.C D.B , UPS & ATM	Mts	29		
2.5	- Do - termination of 25 & 16 Sqmm 3.5 Core	Nos	7		
3	Out door type glow sign board wiring :-				
3.1	Supply laying of main line with 2x2.5 +1x1.5 mmsq through MS conduit from main panal to glow sign board.	Mts	11		

4	EARTHING STATION :				
(i)	Earthing installation as per I.E. rule conforming	Set	3		
	Supply, Installation, Testing and Commissioning of Maintenance Free Earthing system made up of copperbonded rod of 10 feet length,23 mm dia. (Minimum copper bonding shall be 0.25mm) along with Rod-toConductor connectors, Earth enhancement material, Pit Cover and other accessories as required and as per specification and other applicable codes (include chamber for earthing, Earthing certificate to be submitted along with the bill).				
(ii)	Supply laying 2x8SWG copper bear wire from earth spike to main panel.(Electrolite wire)	Mts	57		
5	MAIN ELECTRICAL DISTRIBUTION				
	Main Panel (wall Mounted Type)				
	Supply & erection of 6way Electric panel made of 16 gauge M.S sheet with double coated painting consisting 3No (4x40)mm copper strips of suitable length for 200 Amp current rating with supply & erection of followings 1) 63Amp TPN switch 1No make HPI/Havells/standard with HRC fuses II) 63 Amp D.P change over switch 1No III)63A Rotary switch -1No IV)10 Amp SP MCB-6No v)Three phase indicator NOTE- Cost of conection of 3 Phase energy meter is including in the job & All internal wiring in D.B Should be 10Sq mm wire.	Set	1		
	POWER DB & AC DB. Make standard/Legrand/ABB ,Double door				
	6 way TPN MCB DB with TP MCB as incoming				
	63 TP&N MCB as main				
	16Amps SP MCB - 8 Nos (Ac :3 Nos + 2X6amp : 4Nos and 1Nos spare) +32AMPS SP X10 NOS. (Ac 3 Nos+15 Amp: 6 Nos, 1No Spare)				
5.3	including Neutral Bar.	01 Set	Set	1	

	LIGHTING DB Make standard/Legrand/ABB				
	6 way TPN MCB DB with TP MCB as incoming				
	63A TP&N MCB as main				
	32 AMPS DB MCB 1No: For Strong room)				
	16 Amps SP MCB - 03 Nos.+ (BM +Toilet) each 1No + 1No spare				
	12 Amps SP MCB - 12 Nos. (Hall - 4Nos + Store room 1 No +Exteranl Lighting 1No.:+ Ups 1No + wall Fan 3 Nos.2 No spare)				
5.4	Including Neutral Bar. 01 Set	Set	1		
6	UPS SYSTEM (Branch)				
6.1	UPS Main DB Supply, erection, testing and commissioning of three phase 4 WAY, TPN MCB DB double door type with "C" Curve MCBs, IP 42 powder coated for UPS with 63A 4P MCBs – 1No as INCOMER 32A TP MCBs – 3 Nos. as OUTGOING (UPS :2Nos and 1 set ,; Spare Including all interconnections & accessories etc Make standard/Legrand/ABB	Nos	1		
6.2	Supply & Fixing of 32A DP MCB in 2way SPN Db IP 20 metallic directly on wall Raw power Incoming & OutGoing supply for UPS (Branch :2 Nos & ATM 1No.)	Nos	2		
6.3	UPS DB-1 & 2 combined				
	12 Way SPN MCB DB with 'C" curve MCBs. Incoming : 2 No. 40A DP MCB Outgoing : 8 Nos 6/10A (BM: 1+1 Nos with lighting : Server & Data Rack (1+1) Nos:C.C 2Nos with lighting :counter :2 Nos) SPO MCBs Make standard/Legrand/ABB . Repective UPS lighting to be connected.(BM,C.C,Banking hall 2Nos) or as per SLD	Nos	1		
6.4	Supply and installation of modular type 3 nos 6A multi pin sockets with 2 nos 6A one way switch with indicator housed in MS box to be fixed in partitions or concealed in wall. The box shall be painted with 2 coats of enamel paint over a coat of red oxide primer including making connections complete the rate inclusive of Supplying and running of 3 runs of 2.5 sq.mm UPS DB's to individual powerstation through .(looping 2 sets of 3X6 A socket outlet in one circuit / or as per SLD the following size of 660 volts grade, Finolex brand PVC insulated wire (For UPS point only).(For B.M,C.C,Sever each 2Nos.) +3 Nos for Counter+Rack 1Nos)	Nos	8		
6.8	Supply and Installation of Moduler type 2 X 20A plug & socket housed in for UPS output control (Branch 2 Nos & ATM 1No.)	Nos	1		
6.9	Supply & Laying of 2 runs of 4.0 Sqmm and 1 run of 2.5 sqmm, PVC insulated, single core, multistranded copper conductor cable in suitable rigid / flexible metal conduitfrom 3 KVA UPS to UPS DB	mtr	55		
	sub total I				
8	ELECTRICAL FITTINGS (S/I/T/C)				
8.4	TUBELIGHT - NEW LED TUBELIGHT 36 watt PHILIPS/WIPRO MAKE.	Nos	18		
8.5	HANGING LIGHT - LHECDOL5PW1W040 (40WATTS), PHILIPS/WIPRO MAKE	NOS.	6		
8.6	150 mm dia Heavy Duty Exhust fan 230 voltA.C.(Havells / Crompton make).(UPS & Toilet)	Nos	3		
8.7	Meatal body Wall mountaing fan 450 mm dia 230 volt A.C. PHILIPS/WIPRO MAKE	Nos.	3		
8.8	Supply of Ceiling fan with 1200mm sweep, double ball bearing motor, capacitor, three MS blades die cast Al housing in stove enameled white with, suspension rod including all accessories of approved make.(5 star rated) (ORIENT/KHAITAN).(UPS,Strong room & Store room)	Nos.	14		
	SUB TOTAL				
	TOTAL FOR ELECTRICAL WORK (B)				

* GST EXTRA AS APPLICABLE				
---------------------------	--	--	--	--

B.O.Q OF LAN & TELEPHONE WORK FOR BARODA UP BANK AT KUADANDA BRANCH , FARIDPUR , BAREILLY DEVISION					
C SCHEDULE - 'C' (LAN & TELEPHONE WORK)					
S.NO.	DESCRIPTION	UNIT	QTY.	RATE	AMOUNT
2.0	DATA SYSTEM - CONDUITING & CABLING				
2.2	Wiring for computer networking from I/O hub to computer workstation with UTP Cat-6 computer cable including providing ferrules at both ends and termination at both ends including providing & fixing frame for with shutter, RJ 45 outlet, faceplate and mounting box complete of modular type, This work includes providing PVC conduits (1/2", 3/4" size or as required) in chases from the I/O hub to the point. The cost includes testing, commisioning etc complete. Note : Do not run more than 3 wire in single pipe & should be concealed. (Server,BM,CC & ATM each 2Nos and counter 5Nos)	Nos.	7		
2.3	Supply of Cat - 6 D-Link patch cord 7' 0"	Nos.	7		
2.4	Supply of Cat - 6 D-Link patch cord 3' 0"	Nos.	7		
2.5	Supply & fixing 24 Port Jack Panel Make:-D-Link	Nos.	1		
2.6	19" Rack 9U with Glass Door , Locking system Make: APW	Nos.	1		
2.7	24PORT 10/100Mbps Switch	Nos.	1		
GRAND TOTAL FOR LAN & TELEPHONE (C)					
* GST EXTRA AS APPLICABLE					